

Vacuum Quick Access Doors

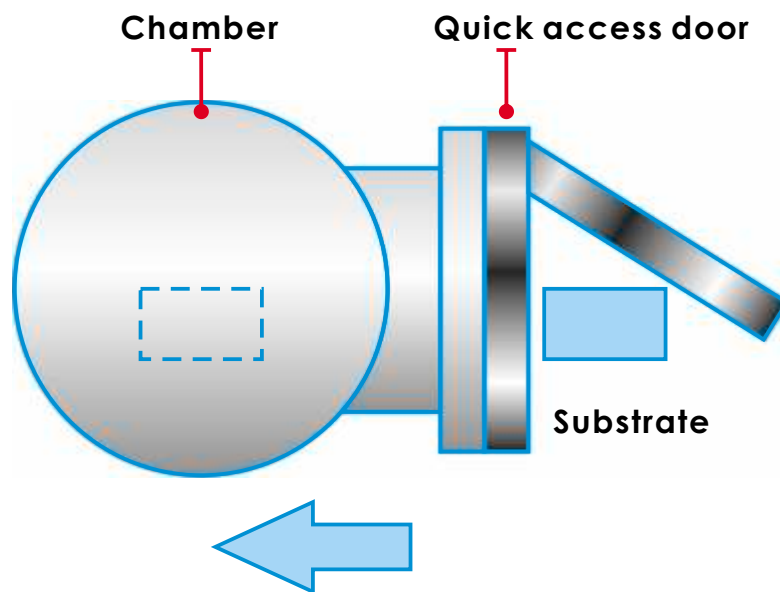
Product Introduction

Vacuum Quick Access Doors are design for chamber with quick load and unload substrate .
There are two styles with blanker cover or view glass.
There is option for high grade SUS316/L, more purity materials with low out glassing rate.

Product Features

- Easy to operate with strong door hinge.
- Optional materials, SUS304/L and SUS316/L .
- Any position installation.

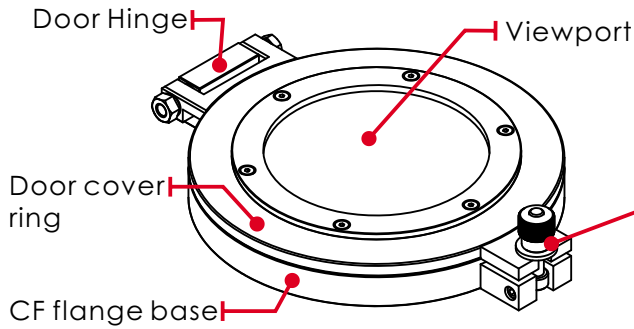
Product Application



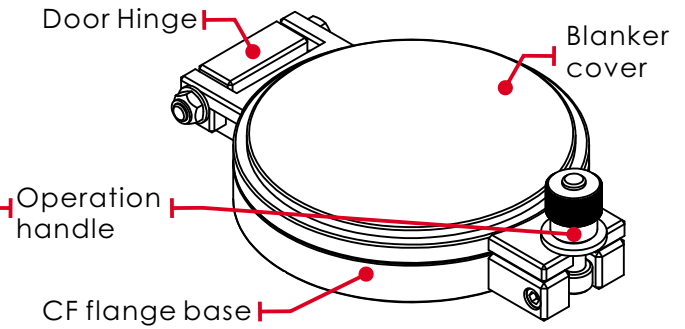
Substrate can transfer from atmosphere to vacuum chamber via quick access door

Parts of Quick Access Doors

Viewport type



Blanker type



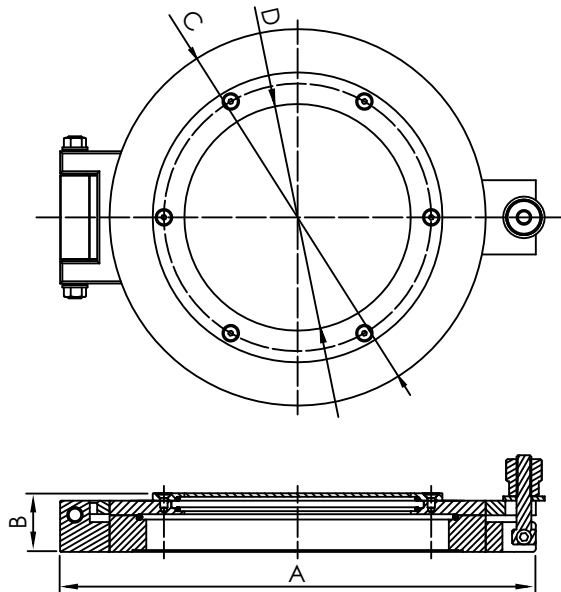
Technical Data for Quick Access Doors

Door seal	FKM
Mounting seal	OFHC gasket
Operate pressure range	760 Torr ~ 1×10^{-8} Torr 1,000 mbar ~ 1.33×10^{-8} mbar 100 kPa ~ 1.13×10^{-7} kPa
Leak rate	1×10^{-9} Torr l/s, He 1.33×10^{-9} mbar l/s, He 1.13×10^{-8} kPa
Temperature Range	-20°C (-4°F) ~ 150°C (302°F)
Bake Temperature	100°C (212°F)
Body material	SUS304/L
Hinge material	Stainless steel and copper
Viewport material	Glass (only with viewport version)
Mounting position	90, 180, 270, 360 degree



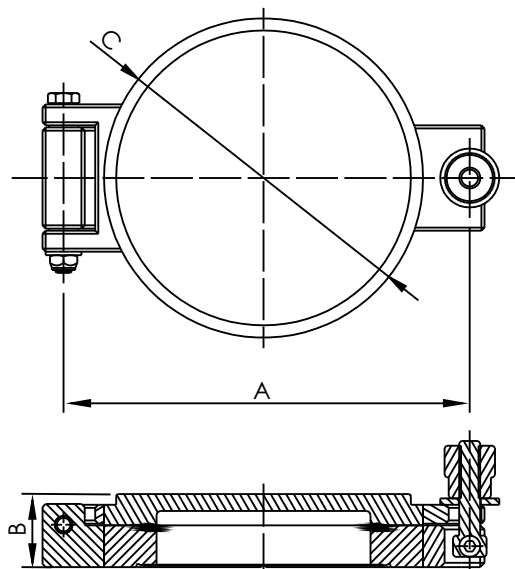
Product Order Information

◆ **Figure 1**



Catalogue PN	Size	Figure	A	B	C	D
QDV-CF-450	CF4.5"	1	177	32	114	64
QDV-CF-600	CF6"	1	215	35	152	102
QDV-CF-800	CF8"	1	276	37	202	152
QDV-CF-1000	CF10"	1	289	40	253	152

◆ **Figure 2**



Catalogue PN	Size	Figure	A	B	C
QDB-CF-450	CF4.5"	2	177	32	114
QDB-CF-600	CF6"	2	215	35	152
QDB-CF-800	CF8"	2	276	37	202
QDB-CF-1000	CF10"	2	289	40	253