

Vacuum Viewport Shutter

Product Introduction

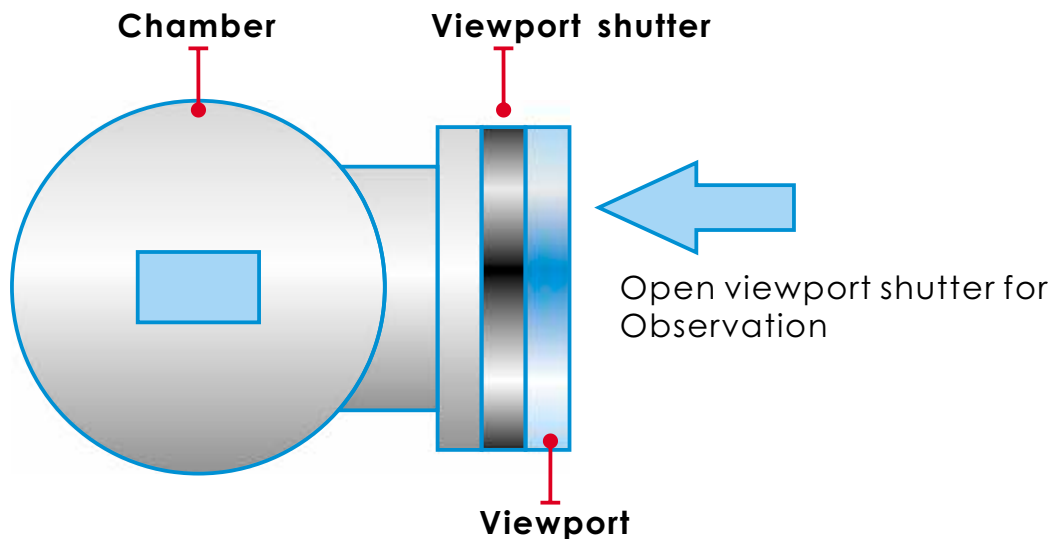
Viewport Shutters are used for protecting viewports. For thin film processing or other processes that may have emission from the chamber side, they can be cleaned by a beam blast on the shutter plate.

Product Features

- UHV grade rotary driver, with stop position on the driver.
- Wide range for observation area.
- Easy for installation.

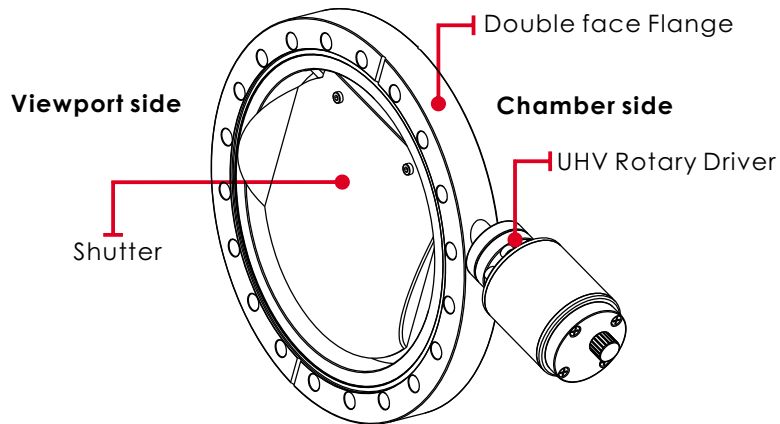


Product Application



Viewport shutter is installed in front of viewport

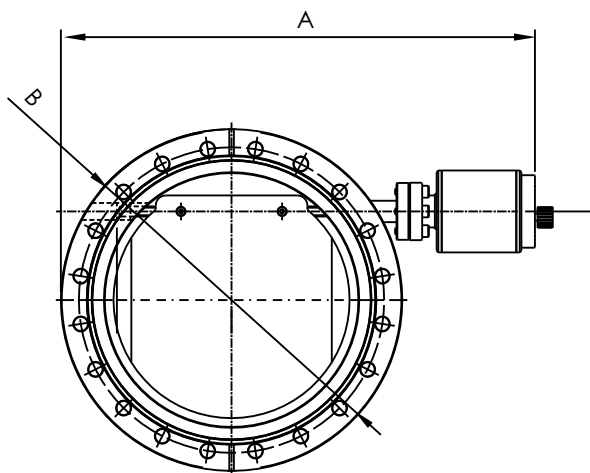
Parts of Viewport Shutters



Technical Data for Quick Access Doors

Shutter	Stainless steel
Mounting seal	OFHC gasket (Both side)
Operate pressure range	760 Torr ~ 1×10^{-10} Torr 1,000 mbar ~ 1.33×10^{-10} mbar 100 kPa ~ 1.13×10^{-9} kPa
Leak rate	1×10^{-10} Torr l/s, He 1.33×10^{-10} mbar l/s, He 1.13×10^{-9} kPa
Temperature Range	0°C(32°F)~200°C(392°F)
Bake Temperature	250°C (482°F)
Body material	SUS304/L
Feedthrough	UHV Rotary Driver
Mounting position	Any

Product Order Information



UHV Viewport Shutter, CF Flange, SUS304/L

Catalogue PN	Size	A	B
VPS-CF-275	CF2.75"	152	69
VPS-CF-450	CF4.5"	197	114
VPS-CF-600	CF6"	235	152
VPS-CF-800	CF8"	285	202